

## Extension module - PSR-M-EM1-PROX2-PI - 1104988

Please be informed that the data shown in this PDF Document is generated from our Online Catalog. Please find the complete data in the user's documentation. Our General Terms of Use for Downloads are valid (<http://phoenixcontact.com/download>)



Safe extension module for monitoring zero-speed and speed, monitoring of 2 axes, suitable for NPN/PNP proximity switch, TBUS interface, up to SILCL 3, Cat. 4/PL e, SIL 3, pluggable Push-in terminal block, TBUS connector included

### Product Description


The configurable and individually scalable PSRmodular safety system is a flexible safety solution for monitoring your machine or system. The safe extension module is used to monitor downtimes and speed. The module is suitable for connection of NPN/PNP proximity switches.

### Your advantages

- ✓ Cost-effective safety solution with a high level of adaptability to individual requirements
- ✓ Fast startup, thanks to easy hardware and software configuration
- ✓ Machine downtimes minimized with comprehensive, easy-to-understand diagnostics
- ✓ Tool-free and time-saving installation thanks to Push-in technology
- ✓ Narrow housing width of just 22.6 mm
- ✓ Up to Cat. 4/PL e in accordance with EN ISO 13849-1, SIL 3 in accordance with IEC 62061, SIL 3 in accordance with IEC 61508
- ✓ Suitable for lift applications according to EN 81-20



### Key Commercial Data

Packing unit	1 pc
GTIN	 4 055626 971742
GTIN	4055626971742
Weight per Piece (excluding packing)	160.000 g
Custom tariff number	85371098
Country of origin	Italy

## Extension module - PSR-M-EM1-PROX2-PI - 1104988

### Technical data

#### Dimensions

Width	22.61 mm
Height	107.74 mm
Depth	113.6 mm

#### Ambient conditions

Ambient temperature (operation)	-10 °C ... 55 °C (observe derating)
Ambient temperature (storage/transport)	-20 °C ... 85 °C
Max. permissible relative humidity (operation)	95 % (non-condensing)
Max. permissible humidity (storage/transport)	95 % (non-condensing)
Maximum altitude	≤ 2000 m (Above sea level)

#### Power supply

Designation	A1/A2
Rated control circuit supply voltage $U_s$	24 V DC -20 % / +20 % (provide external protection, typically 200 mA)
	19.2 V DC ... 28.8 V DC
Rated control supply current $I_s$	typ. 35 mA
Current consumption	max. 170 mA (with full load)
Power consumption at $U_s$	typ. 0.84 W
Inrush current	3.5 A ( $\Delta t = 1$ ms at $U_s$ )
Filter time	typ. 20 ms (at A1 in the event of voltage dips at $U_s$ )
Protective circuit	Serial protection against polarity reversal
	Suppressor diode

#### Measuring inputs

Input name	Proximity switch inputs
Description of the input	NPN / PNP (3- or 4-wire)
Number of inputs	2
Precision	5 % (in reference to the parameterized limit value)
Current consumption	typ. 13 mA (NPN, at $U_s$ )
	typ. -13 mA (PNP, at $U_s$ )
	max. 17 mA (NPN, at 28.8 V DC)
	max. -15 mA (PNP, at 28.8 V DC)
Input voltage range "0" signal	0 V DC ... 5 V DC (NPN)
Input voltage range "1" signal	16 V DC ... 28.8 V DC (NPN)
Input current range "0" signal	< 2 mA (NPN)
Max. permissible overall conductor resistance	150 $\Omega$
Limit frequency	max. 5 kHz
Protective circuit	Suppressor diode

## Extension module - PSR-M-EM1-PROX2-PI - 1104988

### Technical data

#### Digital outputs

Output name	Proximity switch supply
	24V/0V
Nominal output voltage range	16.7 V DC ... 26.3 V DC ( $U_S - 2,5 V$ )
Short-circuit protection	no

#### Times

Response time	see user manual
Restart time	min. 5 s (Boot time)
	max. 10 s (Boot time)

#### General

Nominal operating mode	100% operating factor
Net weight	154.5 g
Mounting position	vertical or horizontal
Mounting type	DIN rail mounting
Assembly instructions	Observe derating
Degree of protection	IP20
Min. degree of protection of inst. location	IP54
Protection class	III (EN 50178)
Housing material	Polyamide PA non-reinforced
Housing color	yellow
Operating voltage display	1 x green LED
Status display	4 x LED (yellow), 1 x LED (green), 2 x LED (orange)
Indication	2 x LED (red)

#### Connection data

Connection method	Push-in connection
pluggable	Yes
Conductor cross section solid	0.2 mm <sup>2</sup> ... 2.5 mm <sup>2</sup>
Conductor cross section flexible	0.2 mm <sup>2</sup> ... 2.5 mm <sup>2</sup>
Conductor cross-section AWG	24 ... 16
Stripping length	10 mm

#### Safety-related characteristic data

Designation	IEC 61508 - High demand
Safety Integrity Level (SIL)	3
Designation	EN ISO 13849
Performance level (PL)	e
Category	3

# Extension module - PSR-M-EM1-PROX2-PI - 1104988

## Technical data

### Safety-related characteristic data

Designation	EN 62061
Safety Integrity Level Claim Limit (SIL CL)	3

### Standards and Regulations

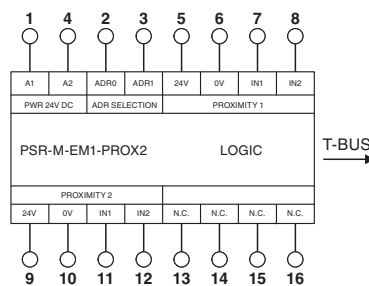
Designation	Air clearances and creepage distances between the power circuits
Standards/regulations	EN 50178
Rated insulation voltage	250 V AC
Rated surge voltage/insulation	Basic insulation 4 kV between 24 V power supply and I/Os to the housing
Degree of pollution	2
Overvoltage category	II
Shock	10g for $\Delta t = 16$ ms (continuous shock, 1000 shocks in each space direction)
Vibration (operation)	10 Hz ... 150 Hz, 2g
Conformance	CE-compliant

### Environmental Product Compliance

China RoHS	Environmentally friendly use period: unlimited = EFUP-e
	No hazardous substances above threshold values

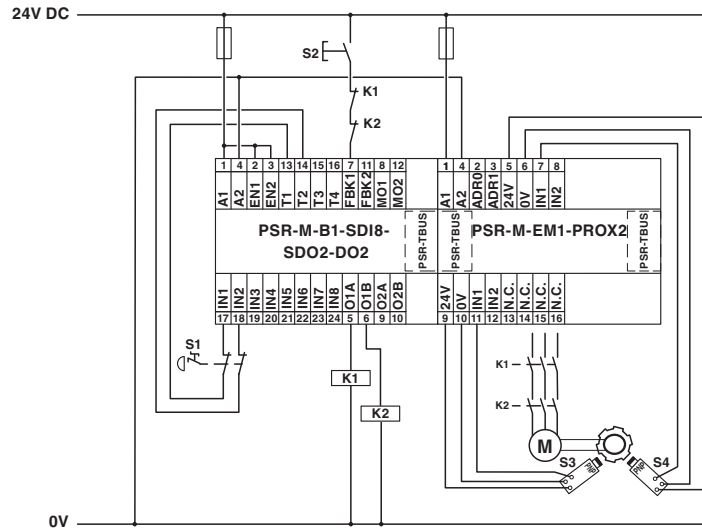
## Drawings

Block diagram



# Extension module - PSR-M-EM1-PROX2-PI - 1104988

Application drawing



## Classifications

eCl@ss

eCl@ss 10.0.1	27371819
eCl@ss 11.0	27371819
eCl@ss 9.0	27371819

## Approvals

Approvals

Approvals

UL Listed / cUL Listed / cULus Listed


Ex Approvals

## Approval details

UL Listed		<a href="http://database.ul.com/cgi-bin/XYV/template/LISEXT/1FRAME/index.htm">http://database.ul.com/cgi-bin/XYV/template/LISEXT/1FRAME/index.htm</a>	FILE E 238705
-----------	--	---	---------------

## Extension module - PSR-M-EM1-PROX2-PI - 1104988

### Approvals

cUL Listed		<a href="http://database.ul.com/cgi-bin/XYV/template/LISEXT/1FRAME/index.htm">http://database.ul.com/cgi-bin/XYV/template/LISEXT/1FRAME/index.htm</a>	FILE E 238705
------------	---	---	---------------

cULus Listed			
--------------	---	--	--

### Accessories

#### Accessories

#### Coding element

Coding profile - CP-MSTB - 1734634



Coding profile, is inserted into the slot on the plug or inverted header, red insulating material

---

Coding section - CR-MSTB - 1734401



Coding section, inserted into the recess in the header or the inverted plug, red insulating material